

GeoMax

TPS & GNSS Accessory Overview

V. 1.00

Art.No	Name	Description
Tripods		
765603	ZTW100	Wooden tripod
765604	ZTA100	Aluminum tripod
765605	ZST101	Tripod star

Tribrachs		
765617	ZTR101	Tribrach without optical plummet
790770	ZTR103	Tribrach with optical plummet

Carrier		
760269	ZCA100	GNSS antenna carrier with 5/8" screw, w/o optical plummet
765618	ZCA101	Prism carrier with stub, w/o optical plummet
765606	ZCA102	Prism carrier with stub, with optical plummet

Poles		
789349	ZPC200	Carbon/Alu telescopic pole with 5/8" screw for GNSS, extends to 2.3 m
807159	ZPC201	Carbon/Alu telescopic pole with stub for TPS, extends to 2.3 m
792381	ZPC210	GNSS pole, 40 cm, for mounting Zenith receiver on carrier as extension (base setup) fitting into Zenith10/20 container
811047	ZPC105	Telescopic snap lock aluminium pole with 1/4" thread connector and screw-able pin adapter. Snap-lock at 1.5 and 2m.
765616	ZST100	Pole support

Holder		
795130	ZHR102	Pole holder for Zoom80C controller
789350	ZHR200	Pole holder for datalogger Getac PS236 Series

Prism		
765608	ZPR100	Circular prism and holder
765609	ZTP100	Target Plate for ZPR100 Prism
765611	ZTM100	Reflective tape, 60mmx60mm, pack of 20 pieces
765612	ZPM100	Mini prism true-zero constant with poles
808645	ZMP100	Mini prism 0 constant with tip, fits to ZPC105 pole
639985	GRZ4	360° Prism with soft bag



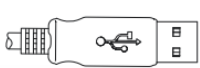

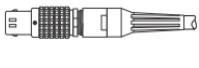
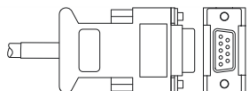

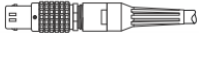
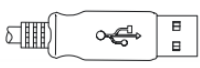

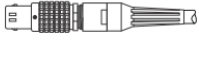
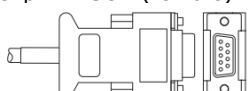

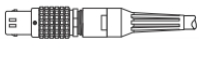
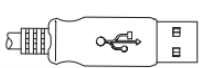
Battery		
794086	ZBA301	Battery, Li-Ion, 4.4 Ah for Zipp10/ZT20 Total Stations
764980	ZBA101	Camcorder battery, NiMH for ZTS600 Total Stations & ZDL700 Level
766861	ZBA200	Battery, Li-Ion, 2.2 Ah for Zoom Total Stations and Zenith25 GNSS
776093	ZBA400	Battery, Li-Ion, 4.4 Ah for Zoom Total Stations
789346	ZBA202	Battery, Li-Ion, 2.5 Ah for Zenith10/20 GNSS
793160	CBA1	Battery, Li-Ion, 5.6 Ah for Getac PS236 Dataloggers


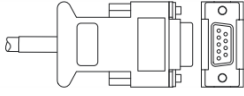



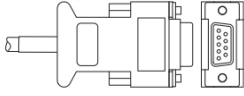





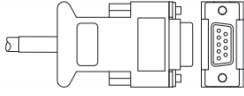




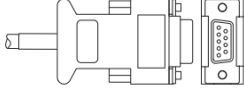





Charger		
766872	ZCH201	Charger for ZBA200/400, including country specific adapter and 12V cigarette lighter cable.




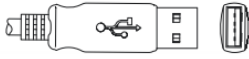





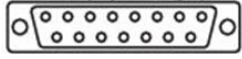



789347	ZCH202	Dual charger for ZBA202, including adapter with exchangeable plugs.
794087	ZCH301	Charger for ZBA301, including adapter and country specific power cable.
793161	CBC1	Charger for CBA1 Getac PS236 series, separate battery
793161	CBC2	Car-Charger for CBA1 Getac PS236 series, separate battery
Memory		
767372	ZCM101	CF card, 264 MB for Zoom80 & ZGP800C
776429	ZMS100	USB Stick, 4 GB for Zoom30 & Zoom Pro Total Stations
808844	ZCM04	Micro SD card, 4GB with adapter for Zenith 10/20/25 GNSS

Container		
765613	ZCT102	Hard shell container for 2 circular prisms, 2 carriers and 2 tribrachs
790313	ZCT105	Softbag for accessories, controller or tablet PC
765614	ZCB100	Back-strap for Zoom80 container

Additional		
767428	ZDE100	Diagonal eyepiece for Zoom20/30 & 35Pro Total Stations
645616	ZMT100	Measuring Tape, Steel, 3m
667220	GAD34	GNSS Arm, 3cm long, for mounting of Gainflex Antenna to pole or carrier with 5/8" thread

Cables			
Plug 1	Plug 2	Description	Type, Art. No
Totalstation – Zipp10/ZT20			
Mini USB  	USB Host 	Cable Mini-USB to USB Host connecting Zipp10 to a PC/Tablet.	ZDC301, 794088
Totalstation – Zoom20/30/35 Pro			
Hirose 6-pin male  	9-pin D-SUB (female) 	Cable Hirose-RS232 connecting Zoom20/30/35 (Pro) to a PC/Tablet using serial transfer technology.	ZDC100, 760681
Hirose 6-pin male  	USB Host 	Cable Lemo-USB connecting Zoom 20/30/35 (Pro) to a PC/Tablet using USB transfer technology.	ZDC217, 776295
Totalstation – Zoom80			
Lemo 5-pin male  	9-pin D-SUB (female) 	Cable Lemo-RS232 for Zoom80 connecting the device to a PC/Tablet.	ZDC223, 793981
Lemo 5-pin male  	USB Host 	Cable Lemo-USB for Zoom80 with electronic adapter box connecting the device to a PC/Tablet, requires driver.	ZDC224, 793982

<p>Lemo 8-pin male</p> 	<p>USB Host</p> 	<p>Cable Lemo-RS232 for Zoom80C Controller connecting the device to a PC.</p>	<p>ZDC225, 793983</p>
<p>Lemo 8-pin male</p> 	<p>USB Host</p> 	<p>Cable Lemo-USB for Zoom80C Controller connecting the device to a PC.</p>	<p>ZDC226, 793984</p>
<p>Totalstation – ZTS600, Digital Level ZDL700</p>			
<p>Hirose 6-pin male</p> 	<p>9-pin D-SUB (female)</p> 	<p>Cable Hirose-RS232 connecting ZTS600 & ZDL700 to a PC/Tablet.</p>	<p>ZDC100, 760681</p>
<p>Hirose 6-pin male</p> 	<p>USB Host</p> 	<p>Cable Lemo-USB connecting ZTS600 & ZDL700 to a PC/Tablet by using serial transfer technology (with inbuilt electronic), requires driver.</p>	<p>ZDC102, 771060</p>
<p>GNSS – Zenith10/20</p>			
<p>Lemo 5-pin male</p> 	<p>USB Host</p> 	<p>Cable Lemo-USB for Zenith10/20 connecting the device to a PC/Tablet.</p>	<p>ZDC222, 792486</p>
<p>Lemo 5-pin male</p> 	<p>9-pin D-SUB (female)</p> 	<p>Cable Lemo-RS232 for Zenith10/20 connecting the device to a PC/Tablet.</p>	<p>ZDC220, 789348</p>
<p>Lemo 5-pin male</p> 	<p>Lemo 8-pin male</p>  <p>Battery Clamps</p> 	<p>Y-Cable Lemo to Lemo and clamps to connect Zenith10/20 with Satel EASyPro radio and external battery for power supply.</p>	<p>ZDC221, 792382</p>
<p>GNSS – Zenith25</p>			
<p>Lemo 10-pin male</p> 	<p>9-pin D-SUB (female)</p> 	<p>Cable Lemo-RS232 for connecting Zenith25 to a PC/Tablet.</p>	<p>ZDC227, 797023</p>
<p>Lemo 10-pin male</p> 	<p>USB Host</p> 	<p>Cable Lemo-USB for connecting Zenith25 to a PC/Tablet.</p>	<p>ZDC226, 797022</p>
<p>Lemo 10-pin male</p> 	<p>Lemo 8-pin male</p>  <p>Battery Clamps</p> 	<p>Y-Cable Lemo to Lemo and clamps to connect Zenith25 with Satel EASyPro radio and external battery for power supply.</p>	<p>ZDC225, 797024</p>

GNSS – ZGP800			
Hirose 10-pin male 	Hirose 10-pin male 	Cable Hirose to Hirose for connecting ZGP800C to ZGP800A (1.5m).	ZDC210, 767406
Hirose 10-pin male 	USB Host 	Cable Hirose-USB for connecting ZGP800C to a PC.	ZDC101, 783789
Hirose 10-pin male 	Hirose 10-pin male 	Cable Hirose to Hirose for connecting ZGP800C to Bluetooth radio (1.2m).	ZDC216, 767407
TNC 	TNC 	TNC to TNC cable for connecting Bluetooth radio to Gainflex antenna (0.25m).	ZDC204, 760500
Hirose 10-pin male 	15-pin D-SUB (male)  Battery Clamps 	Y-Cable Hirose to RS232 and clamps to connect ZGP800A with Satel 3AS radio and external battery for power supply.	ZDC211, 767405
GNSS – General			
TNC 	TNC 	TNC to TNC cable. 2m extension for Radio antenna	ZDC202, 760266